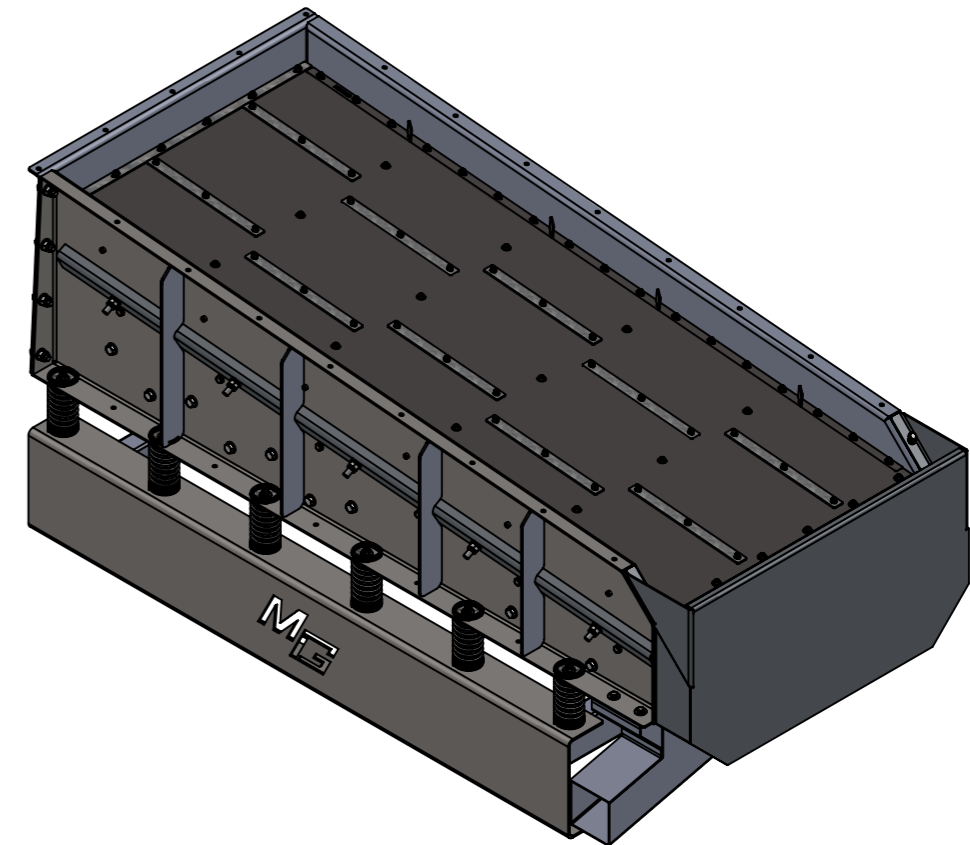
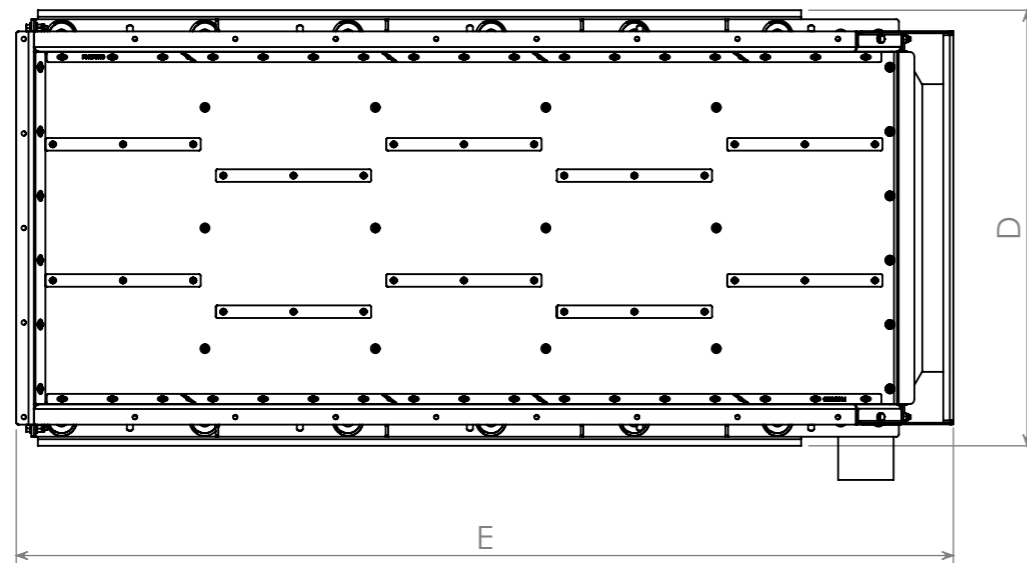
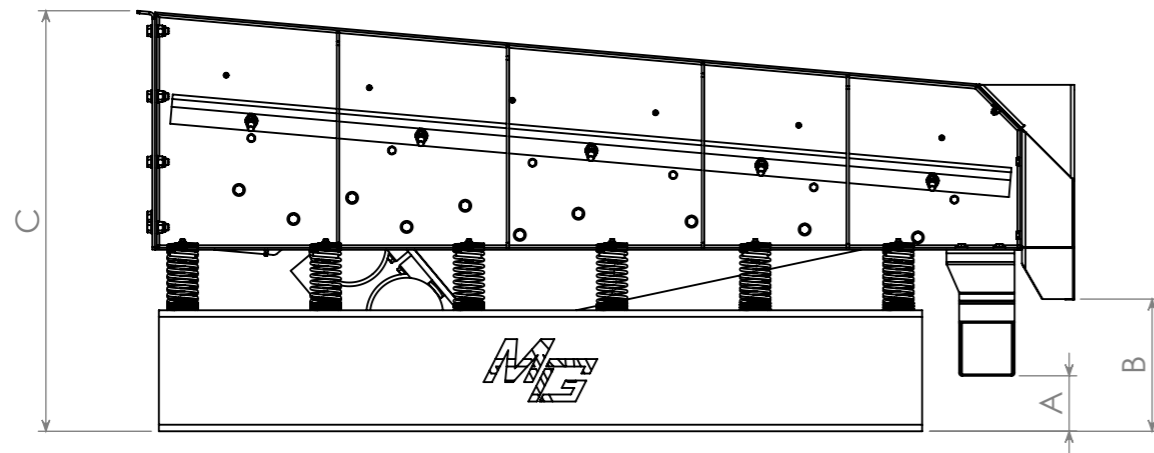


Specifiche Tecniche / Technical Specification

| Tipo<br>Type | Superficie<br>Surface<br>[mm] / [Inch] | Potenza<br>Power<br>[kW] | Dimensioni Massime<br>Overall Dimensions<br>[mm] / [Inch] |            |            |             |             | Peso<br>Weight<br>[Kg / LBs] |
|--------------|--|--------------------------|---|------------|------------|-------------|-------------|------------------------------|
|              |  |                          | A   | B          | C          | D           | E           |                              |
| VB510        | 1285x550 / 50.6x21.7                   | 0.34                     | 120 / 4.7   | 350 / 13.8 | 670 / 26.4 | 750 / 29.5  | 1660 / 65.4 | 175 / 386                    |
| VB700        | 1690x660 / 66.5x26                     | 0.6                      | 120 / 4.7   | 260 / 10.2 | 835 / 32.9 | 865 / 34.1  | 1860 / 73.2 | 240 / 530                    |
| VB1000       | 2115x960 / 83.3x37.8                   | 0.6                      | 120 / 4.7   | 285 / 11.2 | 860 / 33.9 | 1165 / 45.9 | 2290 / 90.2 | 350 / 772                    |



Via E. Rossaro, 7 - 44012 Bondeno (FE)  
Tel. +39 (0)532 897664  
Fax +39 (0)532 891270  
www.mgrecycling.it e-mail: info@mgrecycling.it

|   |              |              |             |
|---|--------------|--------------|-------------|
| DESCRIPTION   |              | DATE         |             |
| SIEVE TECHNICAL SHEET   |              |              |             |
| NOTES   | SHEET        | SCALE        | WEIGHT (kg) |
| DISIGNER  | FORMAT<br>A3 | DRAWING CODE | REVIEW      |
| ANY DRAWING OR TECHNICAL DOCUMENT RELATING TO OUR PRODUCTS, EVEN IF RETURNED TO THE CLIENT, IS ALWAYS EXCLUSIVE PROPERTY OF MG RECYCLING srl, AND CANNOT BE USED BY THE CLIENT, COPIED, REPRODUCED, TRANSMITTED OR COMMUNICATED TO THIRD PARTY WITHOUT OUR PRIOR WRITTEN AUTHORISATION. |              |              |             |