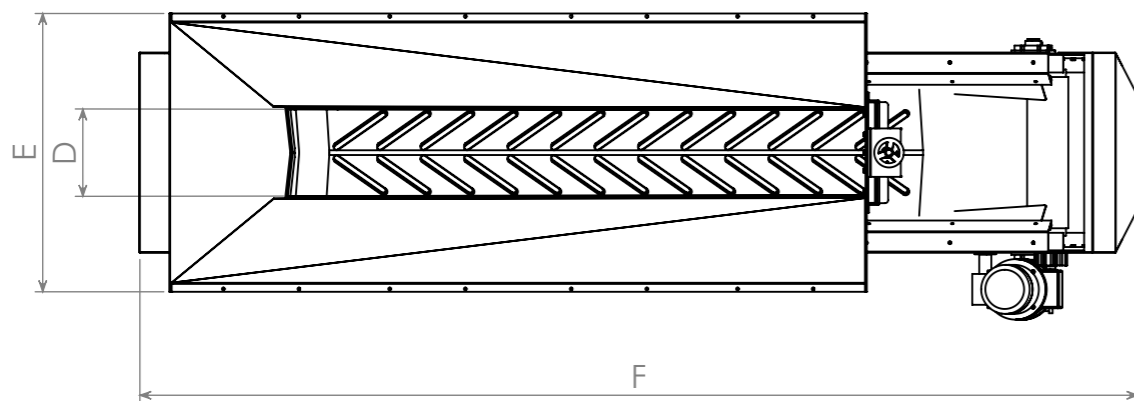
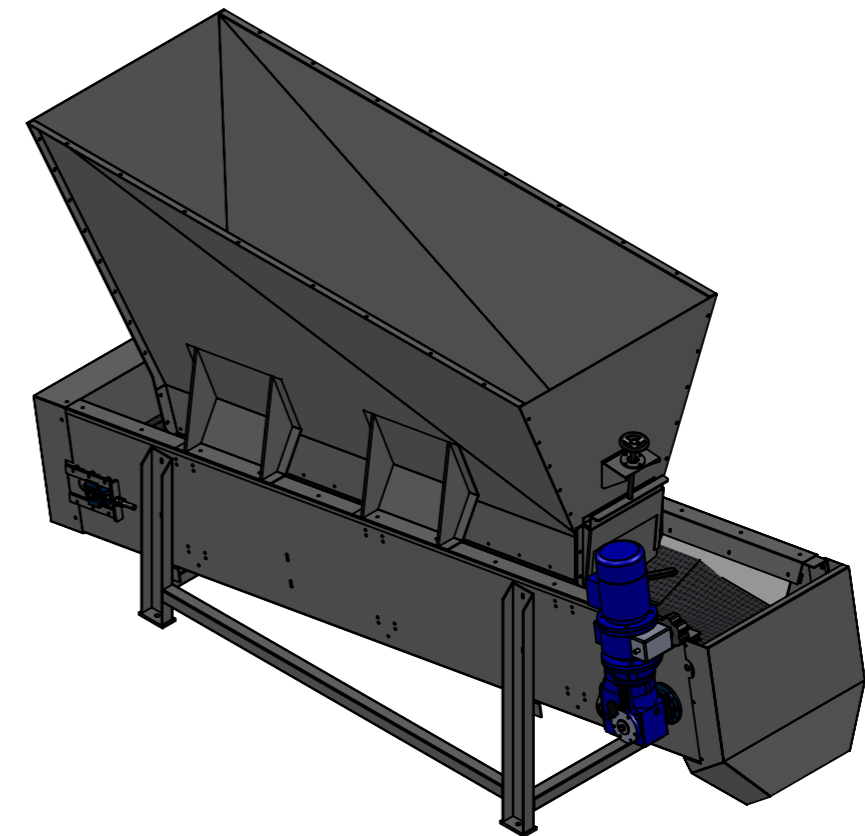
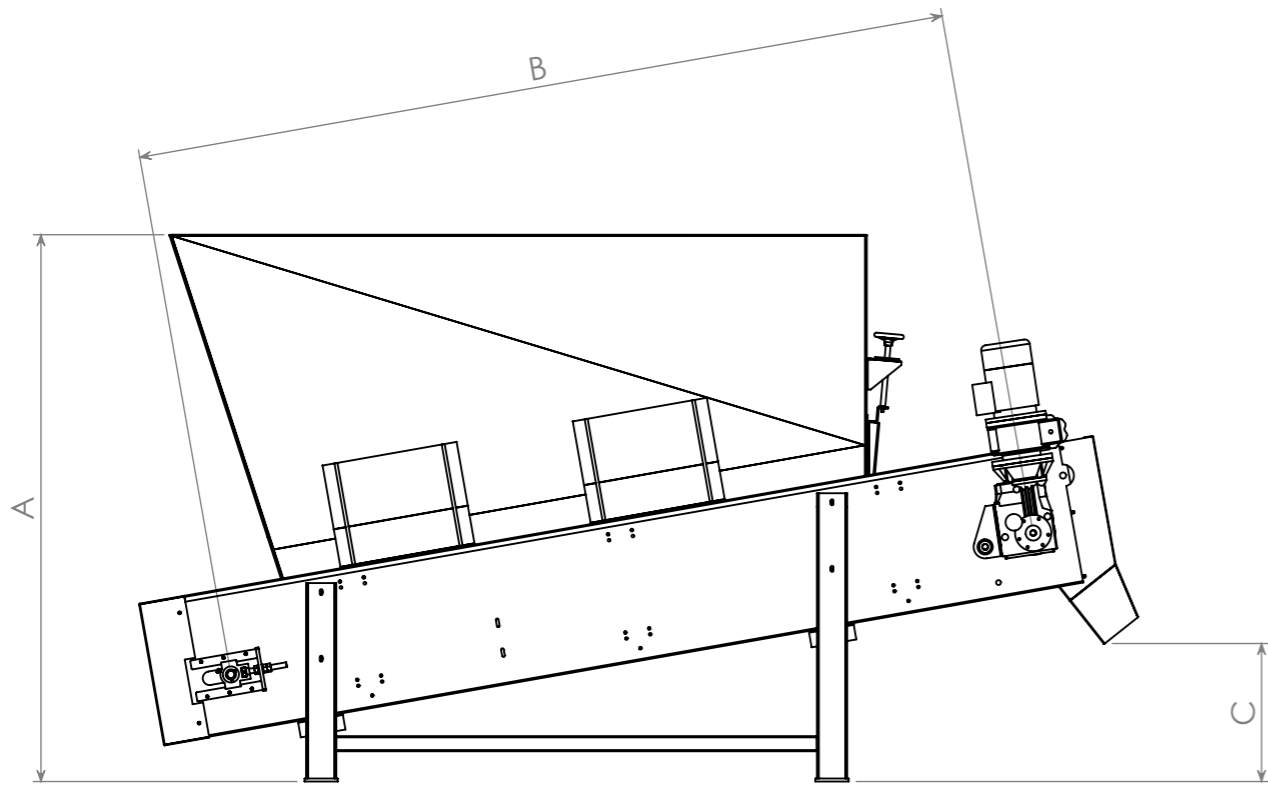



Specifiche Tecniche / Technical Specifications

Tipo Type	Potenza Power [kW]	Dimensioni Massime Overall Dimensions [mm] / [Inch]						Volume Tramoggia Hopper Volume [m³] / [ft³]	Peso Weight [Kg]
		A	B	C	D	E	F		
500-1780	1.1	1670 / 65.8	1780 / 70.1	470 / 18.5	300 / 11.8	820 / 32.3	2390 / 94.1	0.7 / 24.7	510 / 1125
500-2690	1.1	1805 / 71.1	2690 / 105.9	470 / 18.5	300 / 11.8	890 / 35.0	3300 / 129.9	1.2 / 42.4	880 / 1940



 <p>Via E. Rossaro, 7 - 44012 Bondeno (FE) Tel. +39 (0)532 897664 Fax +39 (0)532 891270 www.mgrecycling.it e-mail: info@mgrecycling.it</p>	DESCRIPTION DOSING BELT TECHNICAL SHEET		DATE	
	NOTES	SHEET	SCALE	
	DESIGNER	FORMAT A3	DRAWING CODE	WEIGHT (kg)
	ANY DRAWING OR TECHNICAL DOCUMENT RELATING TO OUR PRODUCTS, EVEN IF RETURNED TO THE CLIENT, IS ALWAYS EXCLUSIVE PROPERTY OF MG RECYCLING srl, AND CANNOT BE USED BY THE CLIENT, COPIED, REPRODUCED, TRANSMITTED OR COMMUNICATED TO THIRD PARTY WITHOUT OUR PRIOR WRITTEN AUTHORISATION.		REVIEW	-