

TECHNICAL SPECIFICATIONS

ZIG ZAG 20

Potenza disponibile / Available powers Up to 13 kW

Ingombri / Overall dimensions

A (lungh.mm/lenght inch)	B (largh.mm/widht inch)	C (alt.mm/height inch)
1750 / 68.9	1100 / 43.3	3700 / 145.7

ZIG ZAG 30

Potenza disponibile / Available powers Up to 16.5 kW

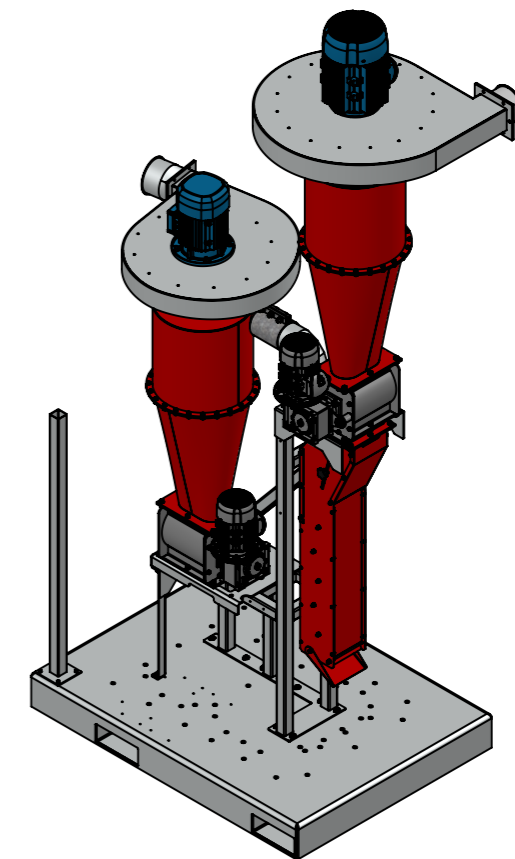
Ingombri / Overall dimensions

A (lungh.mm/lenght inch)	B (largh.mm/widht inch)	C (alt.mm/height inch)
2100 / 82.7	1100 / 43.3	4000 / 157.5

ZIG ZAG 40

Potenza disponibile / Available powers Up to 23.5 kW

A (lungh.mm/lenght inch)	B (largh.mm/widht inch)	C (alt.mm/height inch)
2200 / 86.6	1100 / 43.3	5500 / 216.5



Via E. Rossaro, 7 - 44012 Bondeno (FE)
 Tel. +39 (0)532 897664
 Fax +39 (0)532 891270
 www.mgre recycling.it e-mail: info@mgre recycling.it

DESCRIPTION TECHNICAL SHEET ZIG ZAG 20/30/40		DATE 17/03/2021	
NOTES	SHEET 1/1	SCALE	WEIGHT (kg)
DISIGNER	FORMAT A3	DRAWING CODE	REVIEW -
ANY DRAWING OR TECHNICAL DOCUMENT RELATING TO OUR PRODUCTS, EVEN IF RETURNED TO THE CLIENT, IS ALWAYS EXCLUSIVE PROPERTY OF MG RECYCLING srl, AND CANNOT BE USED BY THE CLIENT, COPIED, REPRODUCED, TRANSMITTED OR COMMUNICATED TO THIRD PARTY WITHOUT OUR PRIOR WRITTEN AUTHORISATION.			